

CUBE

WISPEAK – WIRELESS PRO AUDIO

Rail-mount Loudspeaker



WiSpeak

PRODUCT OVERVIEW

WiSpeak CUBE is a self-powered 5" loudspeaker cabinet with wireless audio reception and control capabilities under the control of the Master unit, featuring an installation system which is compatible with ceiling light rails. Alternatively, wall mount or desktop installation is as well possible by means of the included accessories.

KEY FEATURES

- Cabinet style self-powered WiSpeak receiver, including 5" woofer and 1" tweeter
- Lighting rail mount compatible (Compatible light rails: 4 wire 3 circuit track system such as Global Track Pro or compatibles)
- Universal, internal power supply, taking mains AC from the lighting rail bracket (100-240VAC 50-60Hz)
- 1x WiSpeak wireless audio signal received, from the transmitter it is paired to
- 1x AUX OUT analogue signal available (a copy of the received WiSpeak signal). It can be used for linking the unit to external audio devices, like amplifiers, mixers or subwoofer units
- Back panel UNPAIR control and LED indicators in the front panel
- Recommended maximum range from a CORE transmitter to any WiSpeak paired receiver: 12 meters, with direct line of sight¹
- Available in white (RAL 9003) and black (RAL 9005)

APPLICATIONS

- Retail
- Hospitality
- Education
- Corporate
- Sports and wellness

ACCESSORIES AND COMPATIBLE DEVICES

- WiSpeak CORE



WiSpeak CORE

TECHNICAL SPECIFICATIONS

CUBE

WiS (RF WIRELESS DIGITAL AUDIO)

Frequency band	U-NII 5.1 – 5.8GHz (supported worldwide) Up to 24 non-overlapping RF channels ² DFS support
Coverage range	Up to 12m from a TX to any paired RX, direct line of sight ¹
Audio channels	WiSpeak CH1 / CH2
Audio transmission	24bit uncompressed, 48kHz SR
Digital Audio Sample size	24 bits
Digital Audio Sampling rate	48kHz
Digital Audio Frequency Response	20Hz – 20kHz (-0.1dB)
Digital Audio converters	DAC Resolution: 24 bit DAC Dynamic range: 100dB
Latency	From TX IN to RX AUX OUT <6ms From TX IN to RX Speaker <6ms Jitter among receivers ±1us
Pairing time	Up to 120s ³
Reconnection time	Up to 120s ³

SYSTEM

Effective Freq. Range	70 - 20kHz
Coverage angle	150x150 (HxV)
Sensitivity	83 dB (1W/1m)
Maximum SPL	98 dB continuous / 104 dB peak

TRANSDUCERS

Ways	2 ways
Low frequency driver	5" woofer
High frequency driver	1" tweeter
Nominal impedance	8Ω

POWERED

Power	32 W RMS / 128 W Peak
Audio inputs	CH1 / CH2: Digital, Mono, RF Wireless Audio
Audio outputs	Internal Loudspeaker: Analog, Mono, Self powered AUX OUT: Analog, Mono, Balanced, Euroblock
THD + Noise	<0.15% @1kHz Full power
Signal Noise Ratio	>95dB at RX AUX OUT
Input sensitivity	0dBV / 10kΩ

ELECTRICAL	
Power supply	Universal, internal power supply
AC mains requirement	100-240VAC @ 50-60Hz
AC mains connector	From lighting rail bracket, or standard 2-pin AC plug
Power consumption	15W (rated)
MONITORING AND CONTROL	
Volume control	via WiSpeak grip app.
Other controls	SOLO: via WiSpeak grip app ID TEST SIGNAL: via WiSpeak grip app PAIR / UNPAIR: via WiSpeak grip app and Panel button
LED Indicators	WiS and STR LEDs
Programing and control	WiSpeak grip app
PHYSICAL	
Connection type	Standard 2-pin connector for VAC
Installation options	Surface, desktop, shelf, table, etc. Or in a ceiling light rail.
Certifications	FCC, EMC
Grille material	Aluminium
Mounting system	Lighting rail mount compatible
Pan and tilt wall-mount	Swivel (pan and tilt)
Rail fixing system	4 wire 3 circuit track system
Compatible rail systems	Global Track Pro or compatibles
Operating temperature	Min: -10°C ; 14°F / Max: 40°C ; 104°F
Operating humidity	<85% HR
Storage temperature	Min: -10°C ; 14°F / Max: 40°C ; 104°F
Storage humidity	<90% HR
Included accessories	Lighting rail mount, Surface / wall mount
Finished colour	White (RAL 9003) or black (RAL 9005)
Dimensions (WxHxD))	175 x 175 x 180 mm / 6.9 x 6.9 x 7.1 in
Support arm	Swivel (pan and tilt)
Weight	2.1 kg / 4.6 lb
Pieces per box	1 unit
Shipping dimensions (WxHxD)	320 x 260 x 220 mm / 12.6 x 10.24 x 8.66 in
Shipping weight	3.2 kg / 7.05 lb

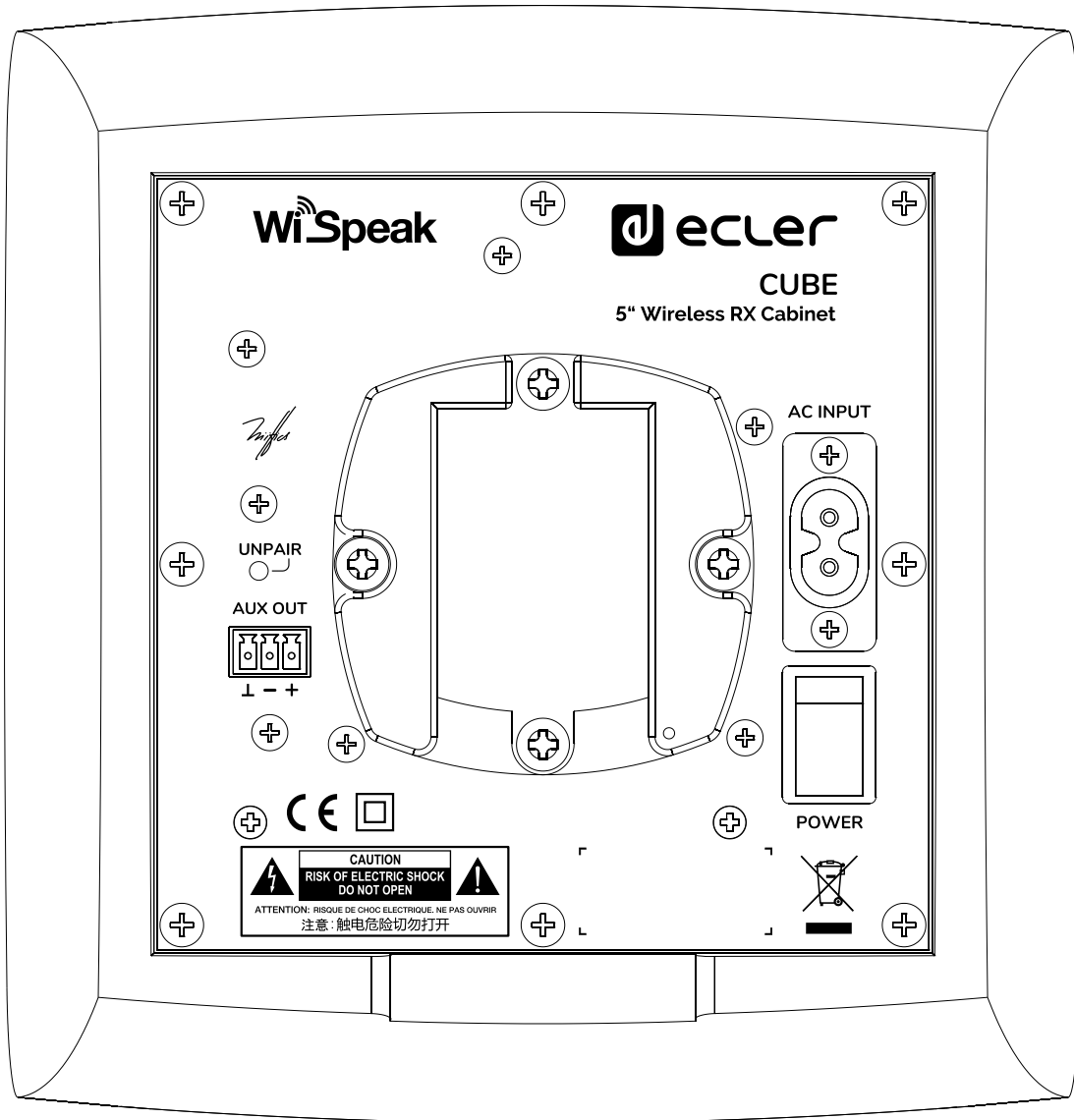
¹WiSpeak features a unique & intelligent digital wireless transmission system: a solid and stable main channel is always used for the system's audio and control links, together with an alternative backup channel available. The system continuously monitors among 24 transmission channels to resolve the best backup channel option. In case the main channel's integrity is affected by third-party RF interferences, an instantaneous and clean (free of audio drops) switch to the backup one is performed.

Exceptionally, when working in environments with very high radio-electric contamination (presence of frequency inhibitors, WiFi networks saturation, etc.) WiSpeak might at times suffer disturbances in its proper functioning, like intermittent audio drops. In such circumstances, and along the system's installation and setup period, it might even be necessary to decrease the distance from the transmitter to each receiver to reach a solid and stable system performance along time.

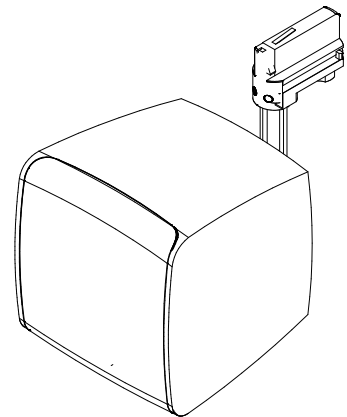
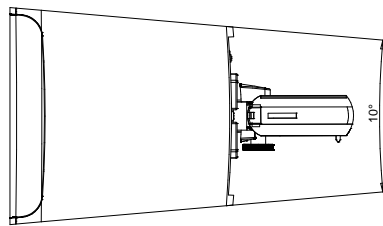
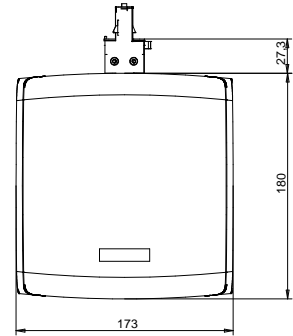
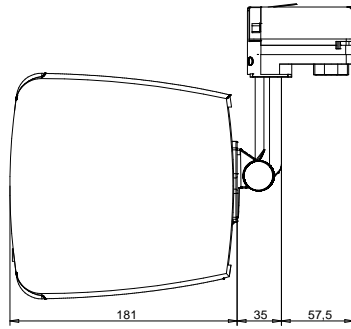
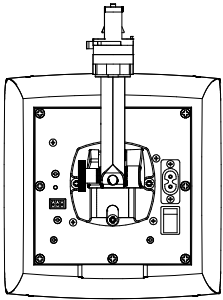
²Varies by country.

³Reconnection and pairing time also involve stabilization process to guarantee a solid and stable wireless communication. This time varies depending on adverse conditions described in ¹.

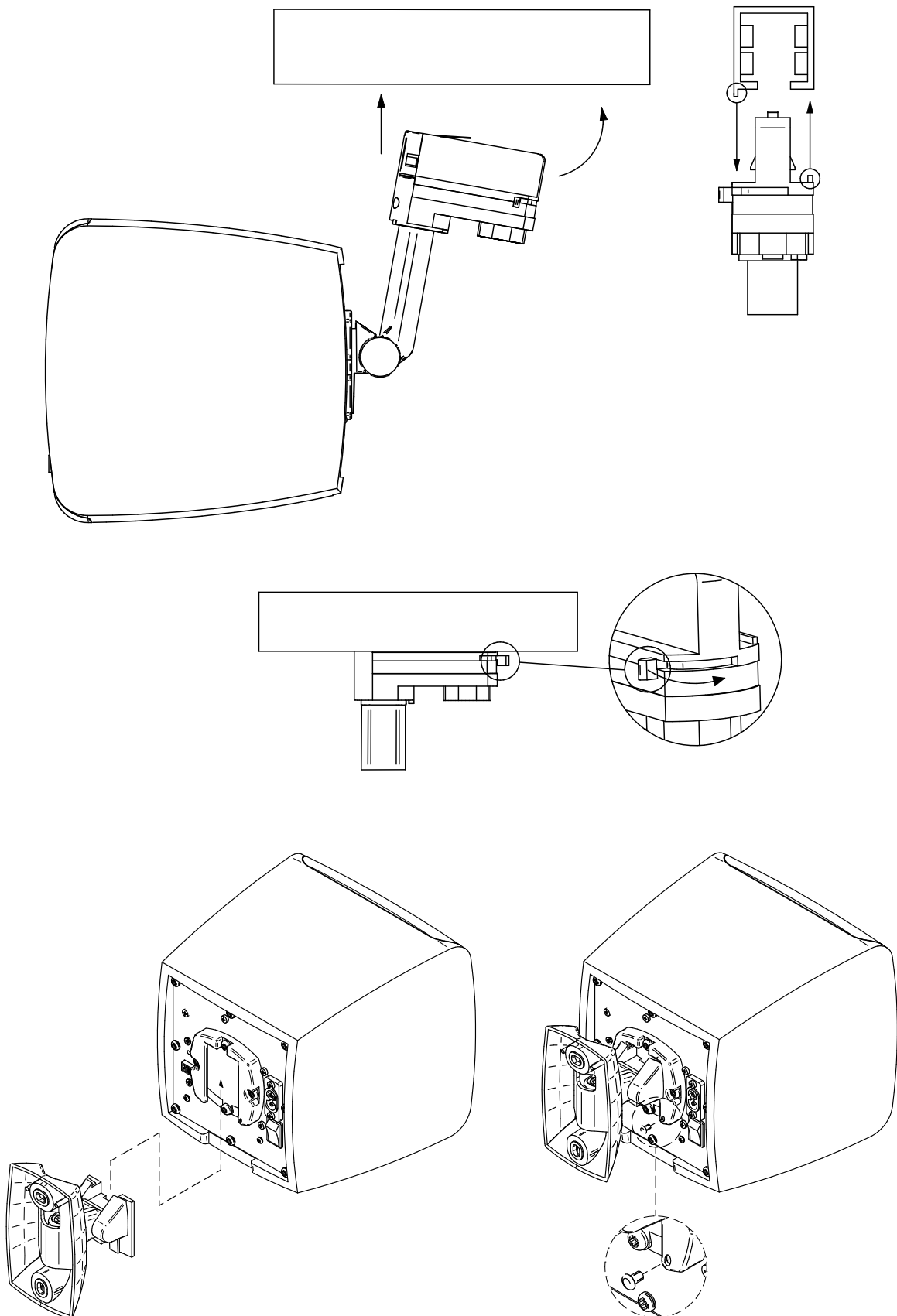
MECHANICAL DIAGRAM



Distances are in millimeters.



MOUNTING DIAGRAM





All product characteristics are subject to variation due to production tolerances. **NEEC AUDIO BARCELONA S.L.** reserves the right to make changes or improvements in the design or manufacturing that may affect these product specifications.

For technical requests address to your supplier, distributor or fill the contact form in our website, at Support / Technical Request.

Motors, 166-168 08038 Barcelona - Spain - (+34) 932238403 | information@ecler.com | www.ecler.com